

### Specifications

MODEL	TZ-50	
-------	-------	--

Measurements	US	Metric
Working height*	55 ft 6 in	16.92 m
Platform height	49 ft 6 in	15.09 m
Entry height	1 ft 8 in	.51 m
Horizontal reach	29 ft 2 in	8.89 m
Clear outreach	23 ft 1 in	7.04 m
Up and over clearance	22 ft	6.71 m
<b>A</b> Platform length	2 ft 2.8 in	.68 m
<b>B</b> Platform width	3 ft 8 in	1.12 m
<b>C</b> Height - stowed	6 ft 10 in	2.08 m
<b>D</b> Length - stowed	23 ft 6 in	7.16 m
<b>E</b> Width - stowed	5 ft 6 in	1.68 m
<b>F</b> Ground clearance - center	10 in	.25 m
<b>G</b> Length - outrigger footprint	14 ft 4 in	4.37 m
<b>H</b> Width - outrigger footprint	14 ft 4 in	4.37 m

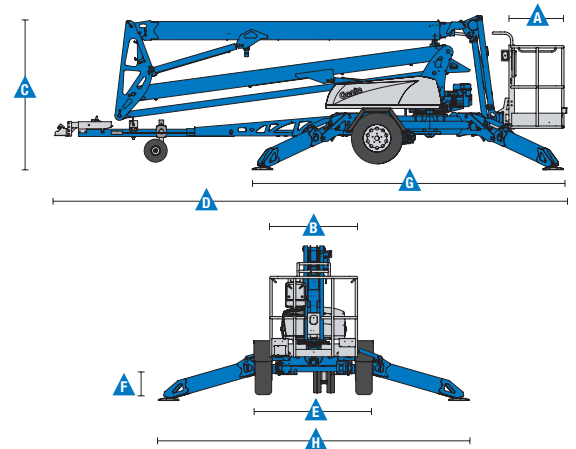
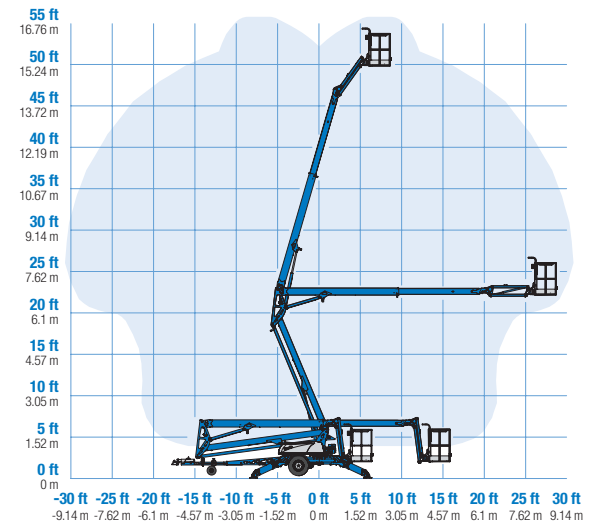
Productivity		
Lift capacity (ANSI, CSA) - standard	500 lbs	227 kg
Lift capacity (ANSI, CSA) - rotating platform	500 lbs	227 kg
Lift capacity (CE/AUS) - standard	440 lbs	200 kg
Lift capacity (CE/AUS) - rotating platform	440 lbs	200 kg
Jib boom	4 ft 1 in	1.25 m
Jib working range	135°	
Self leveling platform	2.5° standard	
Platform rotation option	160° hydraulic	
AC power to platform	standard	
Turntable rotation	359° non-continuous	
Outrigger leveling capability	11°	
Drive speed	0.85 mph	1.37 km/h
Gradeability**	20%	
Towing speed rate	60 mph	97 km/h
Tongue weight - ANSI, CSA	400 lbs	181 kg
Tongue weight - CE	220 lbs	100 kg
Surge and parking brakes	standard	
Controls	variable speed system	
Tires - ANSI, CSA	ST 225/75 R15	
Tires - CE	215 R14C	
Coupler	combination hitch	

Power		
Power source - standard	24V DC (four 6V 225 Ah batteries)	
Power source - drive option	24V DC (four 6V 244 Ah batteries)	
Power source - option	Hybrid DC/Gas Honda 5.5 hp (4.1 kW)	
Fuel tank capacity	.95 gal	3.6 L
Hydraulic tank capacity	4.75 gal	18 L
Hydraulic system capacity	8.0 gal	30 L

Weight***		
ANSI, CSA, Australia	4,400 lbs	1,996 kg
CE	4,475 lbs	2,030 kg

Standards Compliance	ANSI A92.2, CSA C225, EN 280, AS 1418.10
----------------------	--

### Range Of Motion TZ-50



\* The metric equivalent of working height adds 2 m to platform height. U.S. adds 6 ft to platform height.

\*\* Gradeability applies to driving on slopes. See operator's manual for details regarding slope ratings.

\*\*\* Weight will vary depending on options and/or country standards.

## Features

Standard Features	Configurations	Options & Accessories
<p><b>Measurements</b></p> <ul style="list-style-type: none"> <li>• 55 ft 6 in (17.09 m) working height</li> <li>• 29 ft 2 in (8.89 m) horizontal reach</li> <li>• Up to 500 lbs (227 kg) lift capacity</li> </ul> <p><b>Productivity</b></p> <ul style="list-style-type: none"> <li>• Industry leading working envelope</li> <li>• Extension boom</li> <li>• Self-leveling platform</li> <li>• 4 ft jib with 135° working range</li> <li>• AC wiring to platform</li> <li>• Hydraulic outriggers</li> <li>• Automatic 11° leveling system</li> <li>• Outrigger interlocks</li> <li>• Mechanical parking brake</li> <li>• Hydraulic surge brakes</li> <li>• Adjustable hitch with coupler lever lock</li> <li>• Dual jockey wheels</li> <li>• 359° non-continuous turntable rotation</li> <li>• Easy to access batteries</li> <li>• Hour meter</li> <li>• Tilt alarm / sensor</li> <li>• Illuminated outrigger indicators</li> <li>• Highway safety chains with snap hook</li> <li>• LED brake lights (ANSI, CSA)</li> </ul> <p><b>Power</b></p> <ul style="list-style-type: none"> <li>• 24V DC power source (four 6V 225 Ah batteries)</li> </ul>	<p><b>Platform Options</b></p> <ul style="list-style-type: none"> <li>• Aluminum 26.8 x 44 in (.68 x 1.12 m)</li> <li>• 160° hydraulic platform rotation</li> </ul> <p><b>Power Options</b></p> <ul style="list-style-type: none"> <li>• 24V DC power source</li> <li>• Hybrid Honda 5.5 Hp (4.1 Kw) 45 amp charging system</li> </ul> <p><b>Drive</b></p> <ul style="list-style-type: none"> <li>• Drive and set option (ANSI, CSA, AUS)</li> <li>• Drive only (CE)</li> </ul> <p><b>Coupler Options</b></p> <p>Adjustable hitch</p> <ul style="list-style-type: none"> <li>- 2 in (5.08 cm) ball coupler</li> <li>- 2 <sup>5</sup>/<sub>16</sub> in (5.87 cm) ball coupler</li> <li>- 2 <sup>1</sup>/<sub>2</sub> in (6.53 cm) I.D. pintle ring coupler</li> <li>- Clevis coupler</li> </ul> <p><b>Tire Options</b></p> <ul style="list-style-type: none"> <li>• ST 225/75 R15 tires (ANSI, CSA)</li> <li>• 215 R14C tires (CE)</li> </ul>	<p><b>Productivity</b></p> <ul style="list-style-type: none"> <li>• 160° hydraulic platform rotation</li> <li>• Drive and set option</li> <li>• Wheel chocks</li> <li>• Fluorescent tube caddy</li> <li>• Full size spare tire</li> <li>• Flashing beacon</li> <li>• Non-marking outrigger footpads</li> <li>• Battery charge indicator (BCI)</li> <li>• Tool tray</li> <li>• Horn</li> <li>• High capacity battery</li> <li>• Ladder option (CE and AUS only)</li> </ul> <p><b>Power</b></p> <ul style="list-style-type: none"> <li>• Hybrid Honda 5.5 Hp (4.1 Kw) 45 amp charging system option</li> </ul>

