

APPLICATIONS

- Facilities maintenance
- Electricians
- Plumbers
- All maintenance and construction work
- Factory fit outs before electrical power is connected

Proportional controller for lift and lower and boom swing give smooth control

One handed operation for operator comfort and control. Proportional drive controller gives smooth control

Jib boom and basket rotate allows additional functionality and access to hard to reach positions

Articulated boom function provides increased outreach at height and allows fast operation from ground to full height using upper boom lift and main boom, telescope and jib

Load Sensing System

Low maintenance steel platform with non-skid mesh floor, and side entry gate. Enclosed foot switch

Cylinder boots protect cylinder shafts from debris and contaminants

Perkins 4 cylinder water cooled diesel engine and transmission pump to match drive and function power and performance requirements with a quieter engine and lower operating cost

Tie down and lifting lugs for ease of transport

4 wheel drive with hydraulic piston 2 speed motors, gear reduction hubs and spring applied brakes for 4 wheel drive traction, provides maximum traction and ease of steering

Front axle oscillates when travelling with counterweight over steer tyres, assists in accessing difficult sites

Urethane filled, puncture proof lug tyres

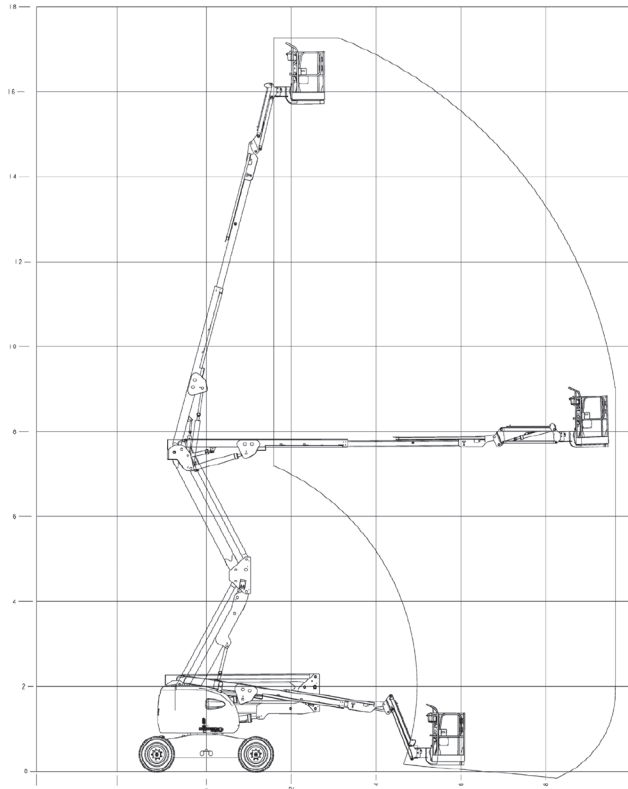


QUESTIONS TO ASK

- What are the ground conditions in the work area?
- What are the site conditions travelling around the site?
- What is the working height needed for the job?
- What is the up and over outreach required for the job?
- Do you need an extension lead outlet in the platform?
- Will an inbuilt Miller 5.5kVA generator make the job easier?

KEY SELLING POINTS

- Smooth control, proportional hydraulic 4 wheel drive, with two speed ranges
- Proportional lift and swing controls at the platform
- Oscillating front steer axle with the boom within 10 degrees of centre, assists 4 wheel drive traction
- Tight steering turning circle
- No tail swing
- Jib boom and basket rotate
- Cylinder boots protect cylinder rods from overspray and contaminants
- Lug pattern urethane filled tyres
- Multi axis 4 degree level sensor
- Plug in JLG analyser at platform and base to indicate system functions for servicing and adjustment
- Perkins 404C-22 4 cylinder 2.216 litre diesel engine, 50HP/37kW @ 2800rpm, reduces noise, vibration, emissions and runs at a slower speed to reduce fuel use



SPECIFICATIONS

Performance:

Platform Height (max.)	15.81m
Working Height	17.81m
Platform Rotation Angle	180°
Jib Raise Angle	75°
Jib Lower Angle	70°
Jib Articulation Range	145°
Maximum Horizontal Outreach	9.48m
Platform Capacity	230kg
Slewing Angle	360°
Continuous Slew	No

Dimensions:

Stowed Length	7.68m
Stowed Height	2.30m
Overall Width	2.26m
Wheelbase	2.34m
Ground Clearance	0.36m
Platform Width	1.83m
Platform Length	0.76m
Overall Jib Length	1.24m
Tailswing	0m
Axle Oscillation Standard	Std

Power:

Power Source	Diesel
Engine Make	Perkins
Engine Model	404C-22
Engine Power	37kW
Genset	5.5kVA Miller
Auxiliary Power	12V Pump

Travel:

Tyre Size	12 x 16.5
Tyre Type	Urethane Filled
Inside Turn Radius	2.0m
Outside Turn Radius	5.0m
Gradeability with 4WD	45%
Drive Speed - 4WD	7.2km/h
Maximum Ground Bearing Pressure	3.37kg/cm ²

Weights and Capabilities:

Fuel Tank Capacity	62.5 Ltr
Hydraulic Tank Capacity	113.6 Ltr
Operating Weight	7,685kg