

Performance

Platform Height-Elevated

4394RT 13.11 m

Platform Capacity

4394RT 680 kg

Capacity on Platform Extension Capacity with Dual Extensions

4394RT 227 kg

4394RT 567 kg

Lift/Lower Time

4394RT 40/43 seconds

Maximum Drive Height

4394RT Full Height

Weight with Dual Extensions

4394RT 7,150 kg

Drive Speed - Lowered

4394RT 6.4 km/h

Drive Speed - Raised

4394RT 0.6 km/h

Gradeability

4394RT 45%

Turning Radius (Inside)

4394RT 2.71 m

Turning Radius (Outside)

4394RT 5.93 m

* Certain options or country standards will increase weight.



Standard Specifications

Engine

Make and Model

Diesel

4394RT Deutz D2011L03 36.4 kW

Fuel Tank Capacity

4394RT 113.56 L

Tyres

Standard Foam-Filled Non-Marking

Brakes

• 4 Wheel Spring Applied

Hydraulic Reservoir

• Capacity 121.42 L

Standard Features

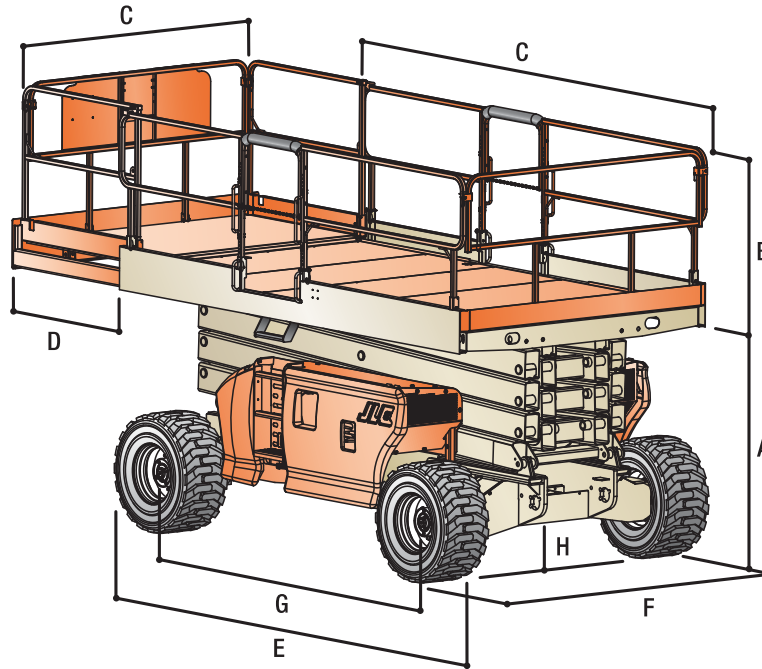
- 4-Wheel Drive
- Automatic Transmission
- Three-Speed Drive Select
- Proportional Drive/Lift Up/Lift Down
- Oscillating Axle
- Adjustable, Removable Platform Control Station
- Fold-Down Handrails
- Horn
- Tilt Light and Alarm
- Leveling Jacks¹
- Dual Extension Deck³
- Self-Closing Entry Gates¹
- Flashing Amber Beacon

Accessories & Options

- Platform Worklights
- Pipe Rack Accessory
- AC Outlet to Platform incl ELCB
- Wheel Chocks
- Squawker / White Noise Motion Alarm
- 5.5kVA Generator – 530LRT only

Dimensions

All dimensions are approximate.



| | | | |
|------------------------------|---------------|-----------------------|--------|
| Platform Height — Elevated | | D. Platform Extension | 1.22 m |
| 4394RT | 13.11 m | E. Overall Length | |
| | | 4394RT | 3.86 m |
| A. Platform Height – Lowered | | F. Overall Width | |
| 4394RT | 1.79 m | 4394RT | 2.39 m |
| B. Platform Railing Height | | G. Wheelbase | |
| 4394RT | 1.1 m | 4394RT | 2.95 m |
| C. Platform Size | | H. Ground Clearance | 30 cm |
| 4394RT | 2.18 x 3.81 m | | |