

Specifications

MODEL	Z-62/40 & Z-62/40 TraX	
Measurements	US	Metric
Working height maximum*	67 ft 11 in	20.87 m
Platform height maximum	61 ft 11 in	18.87 m
Horizontal reach maximum	40 ft 9 in	12.42 m
Up and over clearance maximum	25 ft 7 in	7.80 m
A Platform length - 8 ft / 6 ft model	3 ft / 2 ft 6 in	0.91 m / 0.76 m
B Platform width - 8 ft / 6 ft model	8 ft / 4 ft	2.44 m / 1.83 m
C Height - stowed	8 ft 4 in	2.54 m
- stowed Trax	8 ft 6 in	2.59 m
- transport (jib tucked under)	9 ft 6 in	2.90 m
- transport Trax	9 ft 6 in	2.90 m
D Length - stowed	30 ft 3 in	9.25 m
- transport (jib tucked under)	24 ft 10.5 in	7.58 m
E Width - with tires	8 ft 2 in	2.49 m
- with Trax	8 ft 5 in	2.58 m
F Wheelbase	8 ft 2 in	2.49 m
G Ground clearance - center	1 ft 3 in	38 cm
- Trax center	1 ft 5 in	43 cm

Productivity

Lift capacity	500 lb	227 kg
Platform rotation	180°	
Vertical jib rotation	135°	
Turntable rotation	360° continuous	
Turntable tailswing	zero	
Drive speed - stowed	3.0 mph	4.8 km/h
Drive speed - raised**	0.68 mph	1.1 km/h
Gradeability - 2WD - stowed***	30%	30%
Gradeability - 4WD - stowed***	45%	45%
Tilt sensor activation	front to back: 4.5° and side to side: 4.5°	
Turning radius - 2WS inside	9 ft 2 in	2.80 m
Turning radius - 2WS outside	18 ft 9 in	5.71 m
Turning radius - 4WS inside	4 ft 5 in	1.35 m
Turning radius - 4WS outside	11 ft 11 in	3.6 m
Controls	12V DC proportional	
Tires	355/55D 625	

Power

Power source	49 hp (36.54 kW) Deutz diesel T4f D2.9L4*****	
	49 hp (36.54 kW) Perkins diesel T4f 404D-22*****	
	74 hp (55.18 kW) Deutz diesel T4f TD2.9L4*****	
	60 hp (44.74 kW) Ford gas/LPG MSG425	
Auxiliary power unit	12V DC	
Hydraulic tank capacity	35 gal	132.5 L
Fuel tank capacity - diesel	36 gal	136.3 L
- gas	20 gal	75.7 L

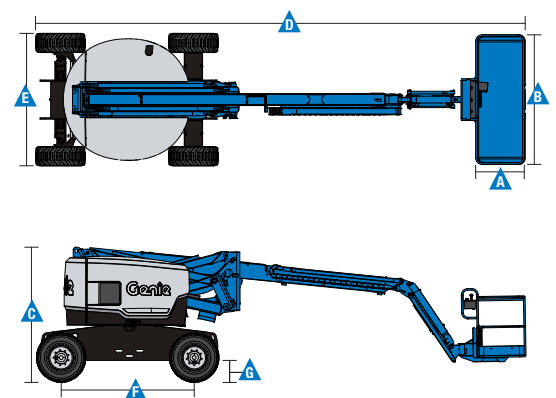
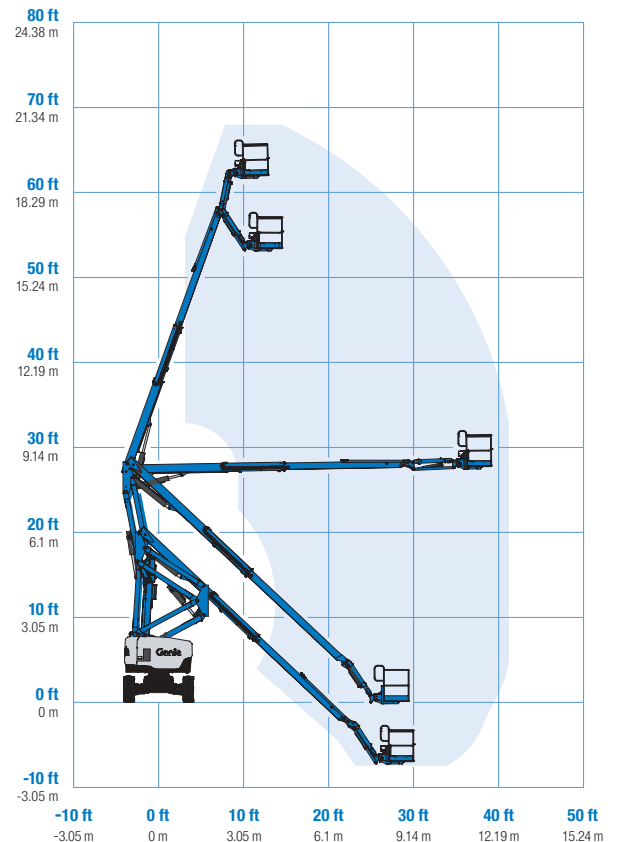
Weight****

2WS	22,185 lb	10,063 kg
4WS	22,690 lb	10,292 kg
TraX	27,357 lb	12,409 kg

Standards Compliance

ANSI A92.20, CSA B354.6, EN 280, AS 1418.10

Range Of Motion Z-62/40 & Z-62/40 TraX



The metric equivalent of working height adds 2 m to platform height. U.S. adds 6 ft to platform height.

** In lift mode (platform raised), the machine is designed to operate on firm, level surfaces only.

*** Gradeability applies to driving on slopes. See operators manual for details regarding slope ratings.

**** Weight will vary depending on options and/or country standards.

***** Tier 4f engines available in US only.

Features

Standard Features

Measurements

- 67 ft 11 in (20.87 m) working height
- 40 ft 9 in (12.42 m) horizontal reach
- 25 ft 7 in (7.8 m) up and over clearance
- Up to 500 lb (227 kg) lift capacity

Productivity

- Self-leveling platform
- Hydraulic platform rotation
- Proportional joystick controls
- Drive enable
- AC power cord to platform
- Horn
- Hour meter
- Tilt alarm
- Descent alarm
- Zero tailswing
- 360° continuous turntable rotation
- Locking turntable covers
- Positive traction drive
- 2 speed wheel motors
- Hydraulic oil cooler
- Lift Tools™ Work Tray
- Entry toeboard
- Lift Connect™ Telematics
- Lift Guard™ Contact Alarm
- Platform load sense

Power

- 12V DC auxiliary power
- Engine protection package
- Anti-restart engine protection
- Auto engine fault shutdown
- Intake air heater (Deutz engine)

Easily Configured To Meet Your Needs

Platform Options

- Steel 8 ft (2.44 m) tri entry with side swing gate (standard)
- Steel 6 ft (1.83 m) dual entry with side swing gate

Jib

- 5 ft (1.52 m) jib boom

Engine Options

- 49 hp (36.54 kW) Deutz diesel T4f* (standard)
- 49 hp (36.54 kW) Perkins diesel T4f*
- 60 hp (44.74 kW) Ford gas/LPG

Drive Options

- 2WD
- 4WD
- 4WS

Axle Options

- Active oscillation (standard on 4WD)
- Non-oscillating (2WD only)

Tire Options

- Rough terrain foam-filled
- Rough terrain non-marking foam-filled
- TraX™

Options & Accessories

Productivity Options

- Lift Guard Platform Mesh - Half
- Lift Guard Platform Mesh - Full
- Platform top auxiliary rail
- Welder package
- Welder Ready package
- Air line to platform
- Specialty hydraulic oil (cold weather, fire resistant, or biodegradable)
- Deluxe Hostile environment kit
- Aircraft protection package (6ft platform only)
- Thumb rocker steer
- Pipe cradle (pair)
- Alarm package
- Panel cradle package
- Lockable platform control box covers
- Tow package
- Work light package
- Operator Protective Structure**
- Fall Arrest Bar
- Lift Tools Expo Installer*
- Lift Tools Access Deck*

Power Options

- Engine gauge package (standard on T4f engines)
- AC generator packages (110V/60Hz 220V/50Hz, 3000W)
- Cold Weather Packages
- Diesel scrubber/spark arrestor (catalytic muffler) (not available on T4f engines)
- LPG tank 33.5 lb (15.19 kg) capacity
- Positive air shut off system (Deutz engine only)



* Also available as Tier 4 in limited regions
** Available through aftermarket parts only

Effective Date: July, 2020. Product specifications and prices are subject to change without notice or obligation. The photographs and/or drawings in this document are for illustrative purposes only. Refer to the appropriate Operator's Manual for instructions on the proper use of this equipment. Failure to follow the appropriate Operator's Manual when using our equipment or to otherwise act irresponsibly may result in serious injury or death. The only warranty applicable to our equipment is the standard written warranty applicable to the particular product and sale and we make no other warranty, express or implied. Products and services listed may be trademarks, service marks or trade names of Terex Corporation and/or their subsidiaries in the USA and many other countries. Terex, Genie and AWP are registered trademarks of Terex Corporation or its subsidiaries. © 2020 Terex Corporation.